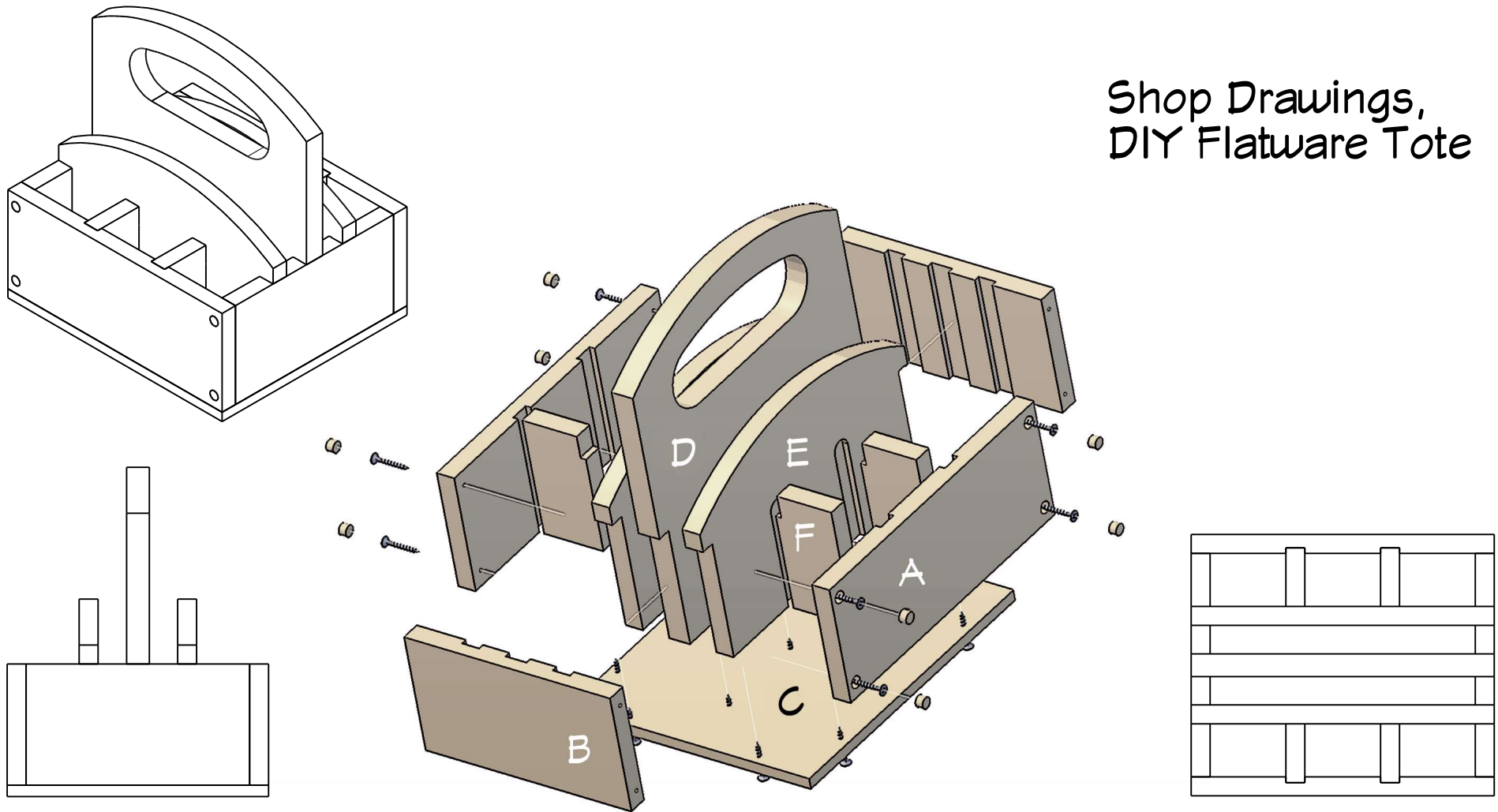


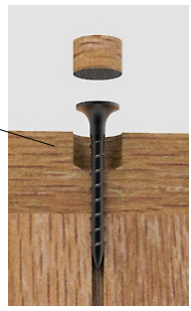
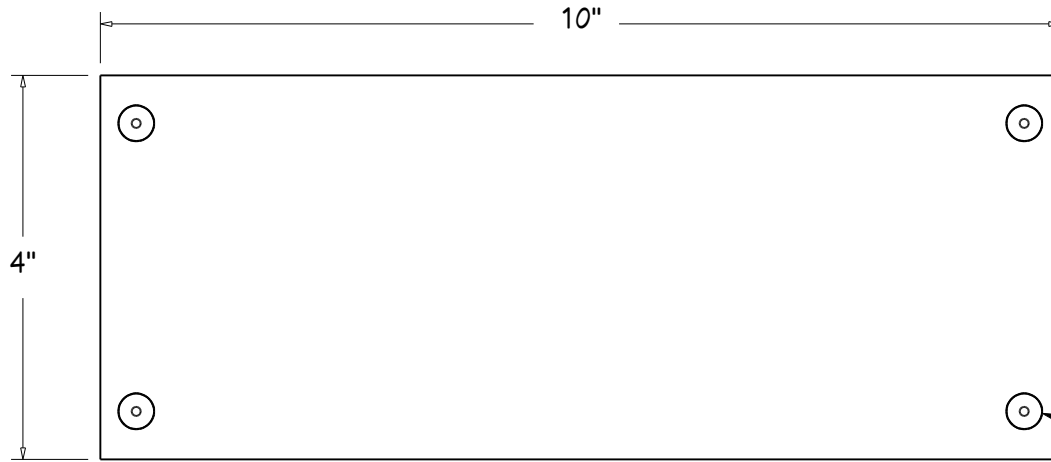
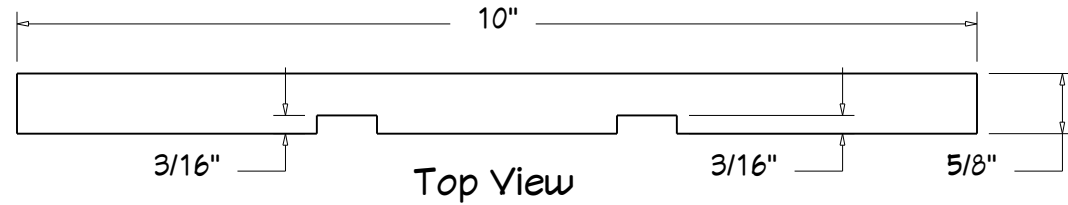
Shop Drawings, DIY Flatware Tote



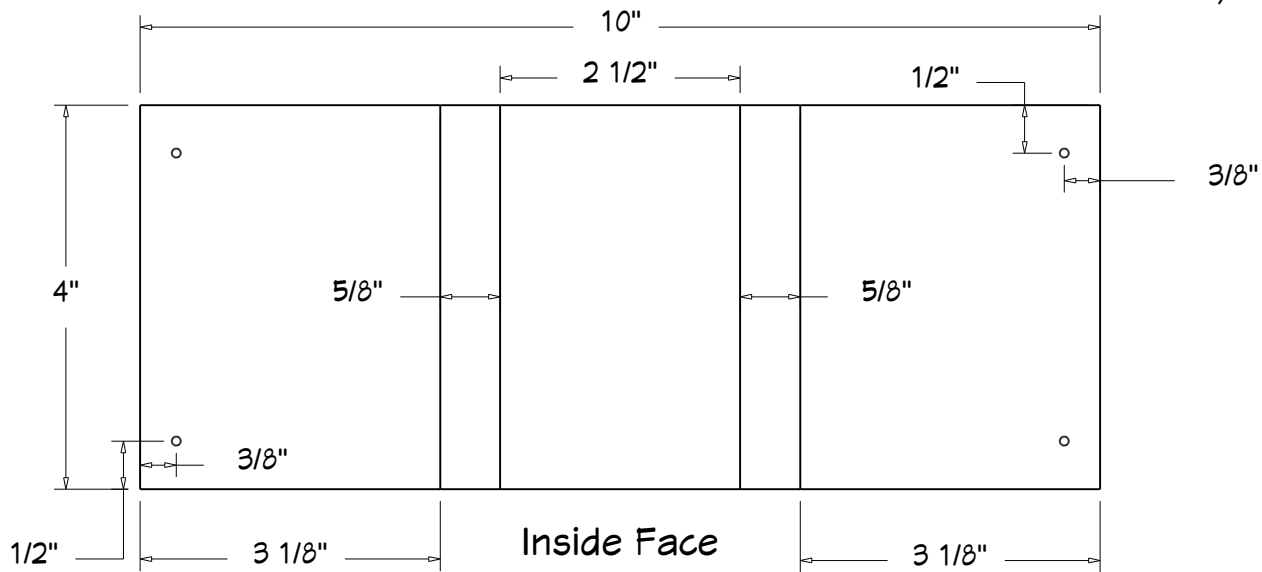
Part	Name	Quantity	Length	Width	Thickness	Material
A	Side	2	10"	4"	5/8"	Pine or poplar
B	End	2	7-3/8"	4"	5/8"	Pine or poplar
C	Bottom	1	10"	8-5/8"	3/8" (9.5mm)	Baltic birch plywood
D	Handle	1	10"	10-1/2"	3/4"	Pine or poplar
E	Long Partition	2	10"	6-3/16"	5/8"	Pine or poplar
F	Short Partition	4	4"	2-1/8"	5/8"	Pine or poplar

Shop Drawings, DIY Flatware Tote
Cottage Life Picnic Totes DIY
Drawn 6/13/2019
Design and Drawings By Raj Chaudhry

Flatware Tote, Side



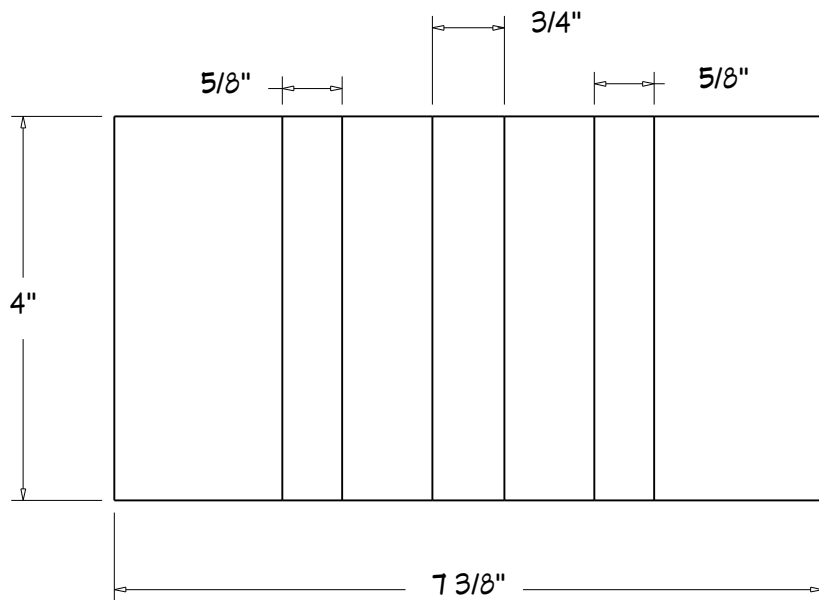
Screw Plug Recess,
 $\varnothing 3/8$ " counterbore,
 5/16" deep



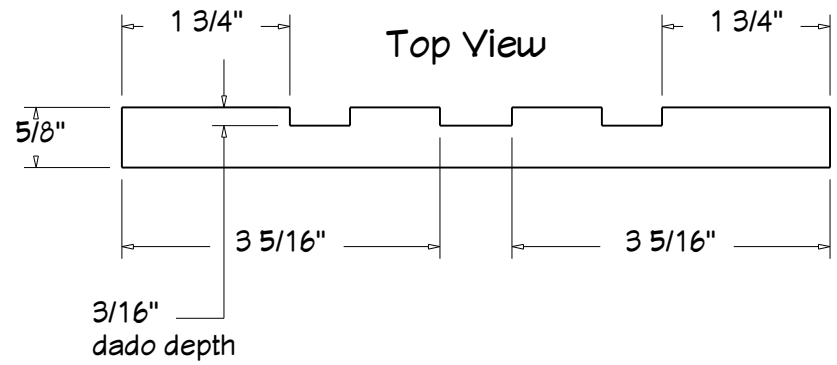
Flatware Tote, Side
Cottage Life Picnic Totes, DIY
Drawn 6/12/2019
By Raj Chaudhry

Flatware Tote, End

Inside Face

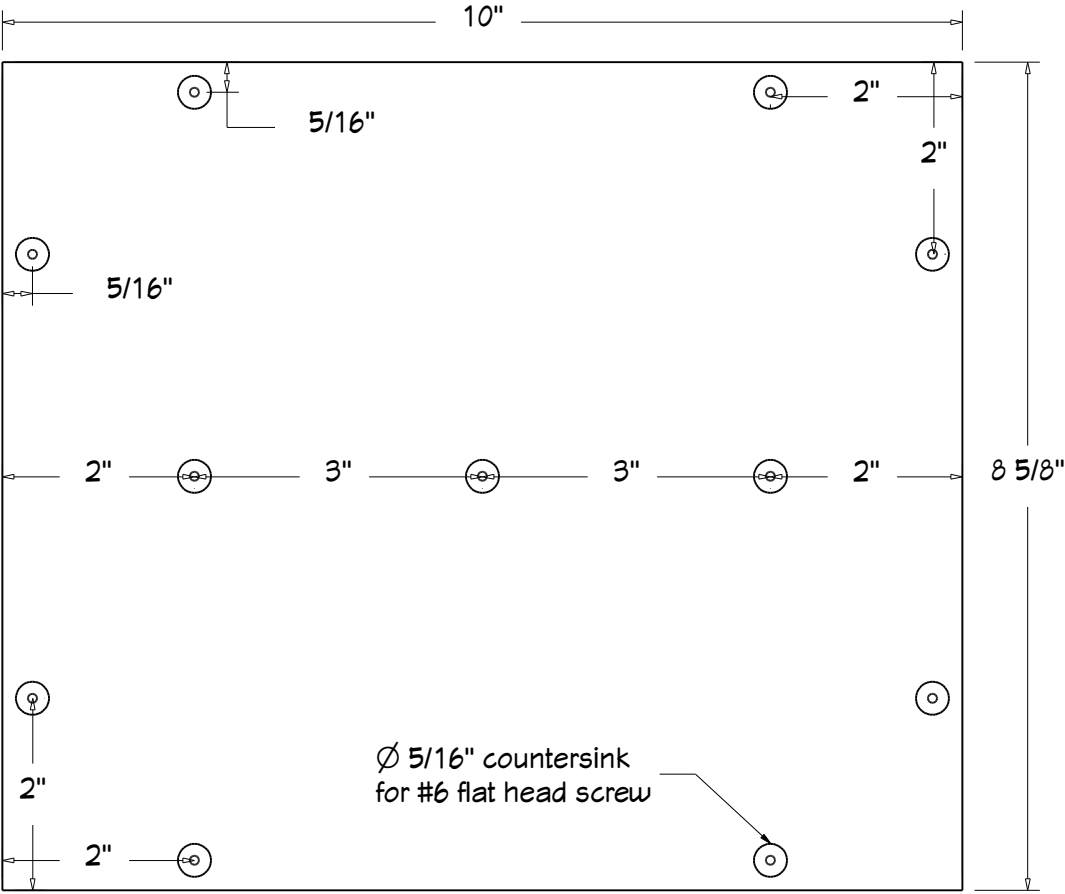


Top View



Flatware Tote, End
Cottage Life Picnic Totes DIY
Drawn 6/13/2019
By Raj Chaudhry

Flatware Tote, Bottom



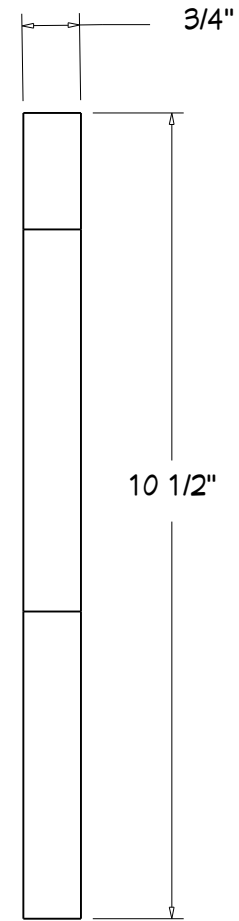
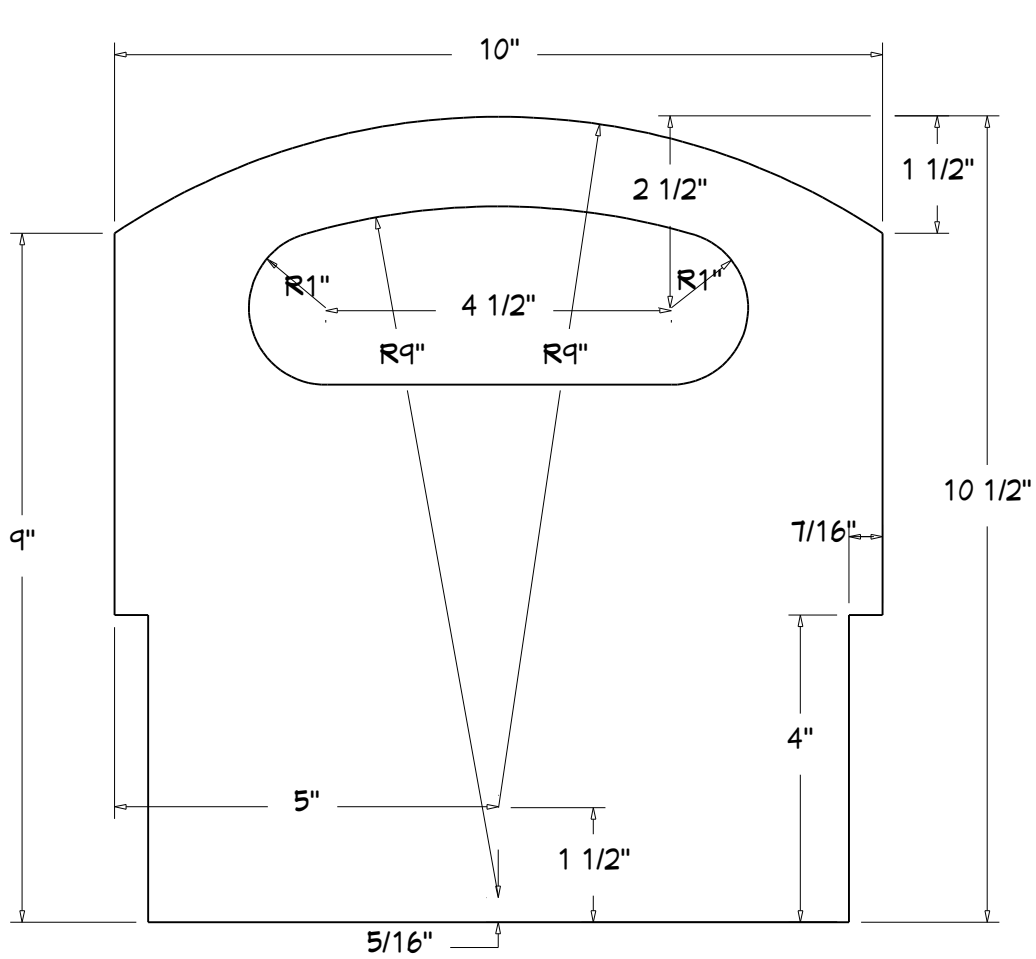
Bottom Face



End View

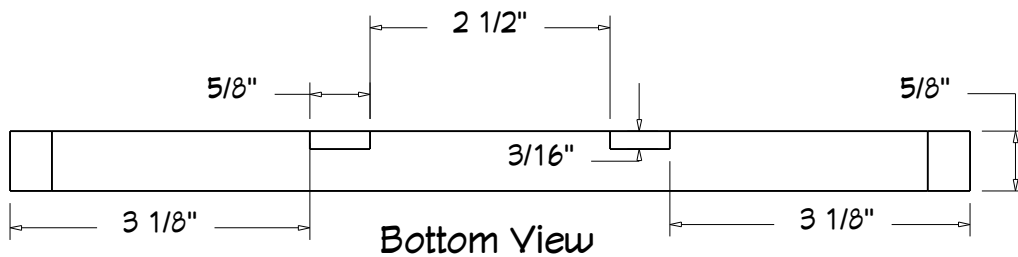
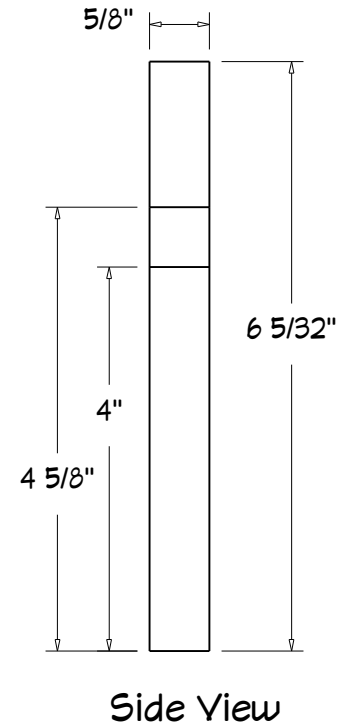
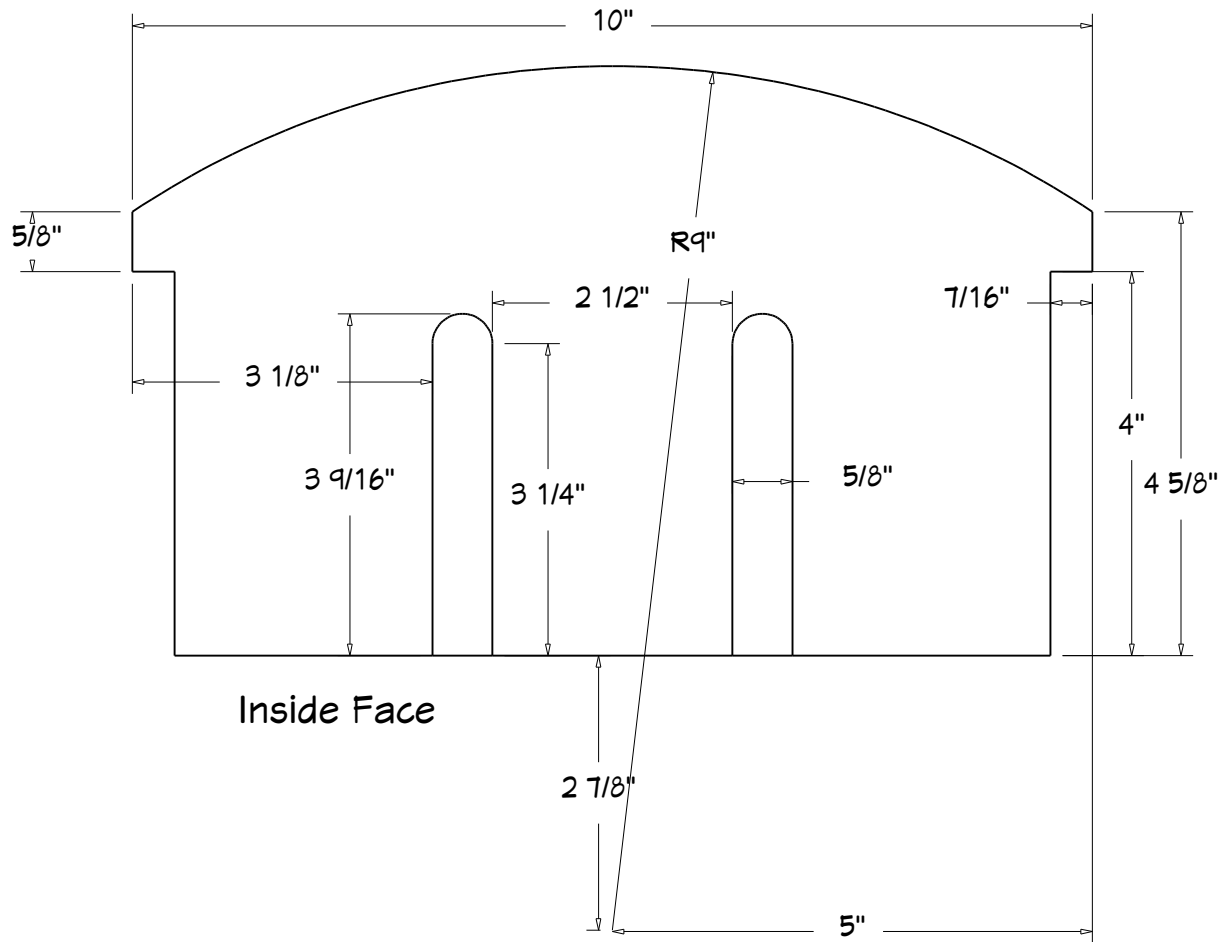
Flatware Tote, Bottom
Cottage Life Picnic Totes DIY
Drawn 6/12/2019
By Raj Chaudhry

Flatware Tote, Handle



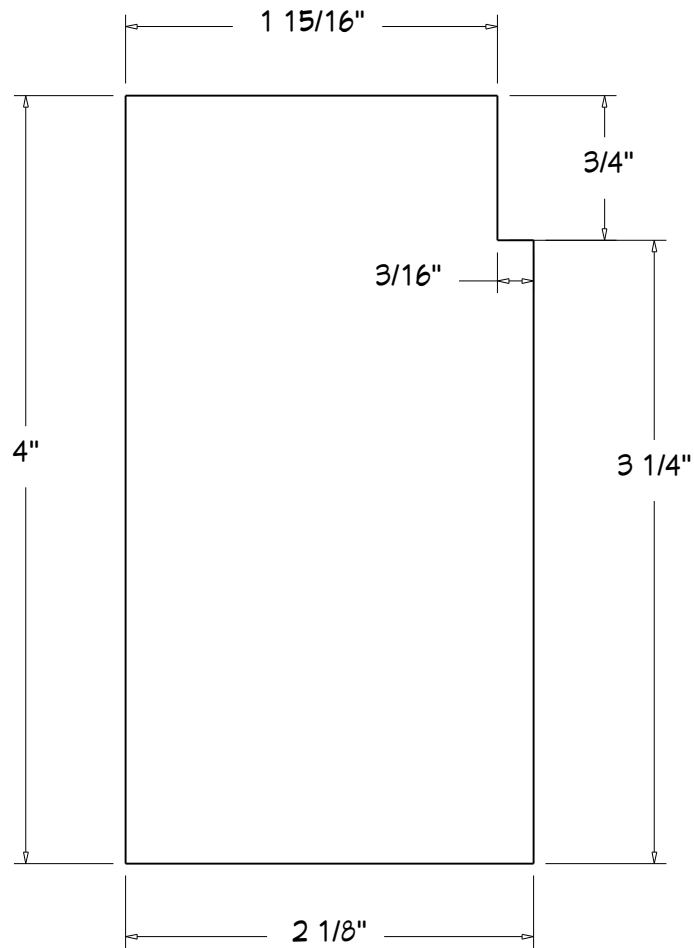
Flatware Tote, Handle
Cottage Life Picnic Totes DIY
Drawn 6/13/2019
By Raj Chaudhry

Flatware Tote, Long Partition

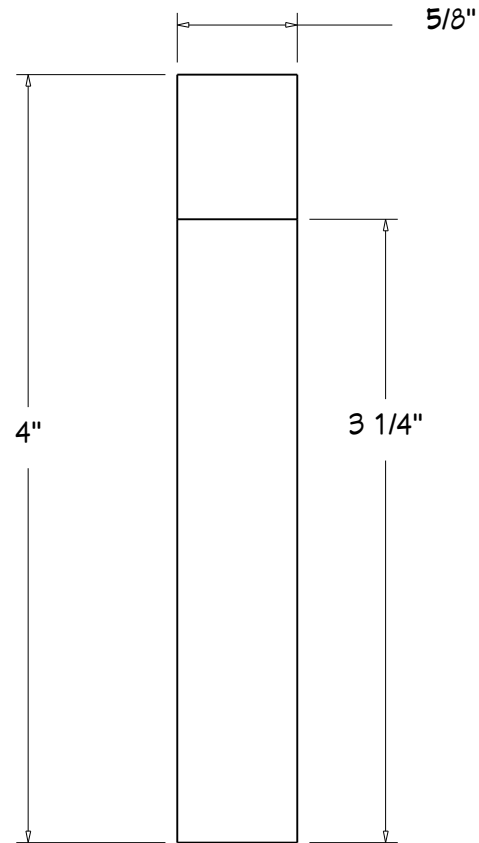


Flatware Tote, Long Partition
Cottage Life Picnic Totes DIY
Drawn 6/13/2019
By Raj Chaudhry

Flatware Tote, Short Partition



Front Face

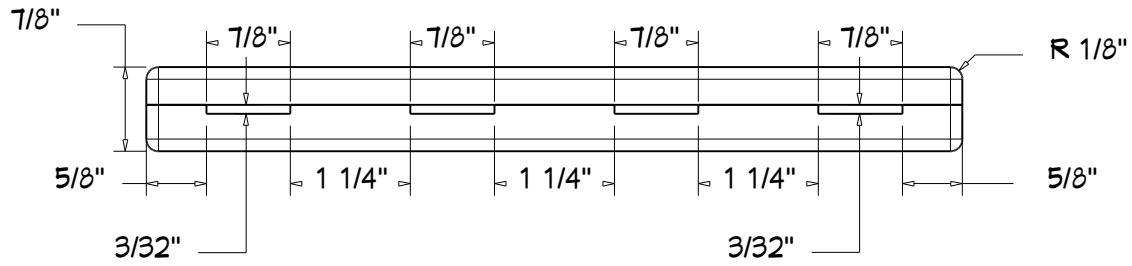


Side View

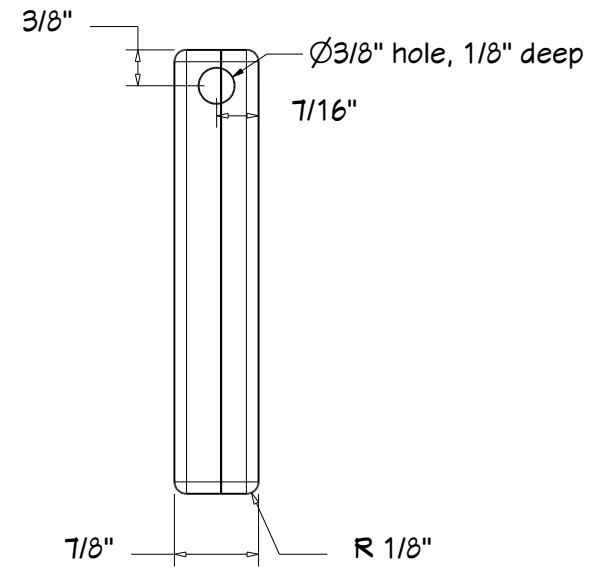
Flatware Tote, Short Partition
Cottage Life Picnic Totes DIY
Drawn 6/13/2019
By Raj Chaudhry

Flatware Tote, Knife Block

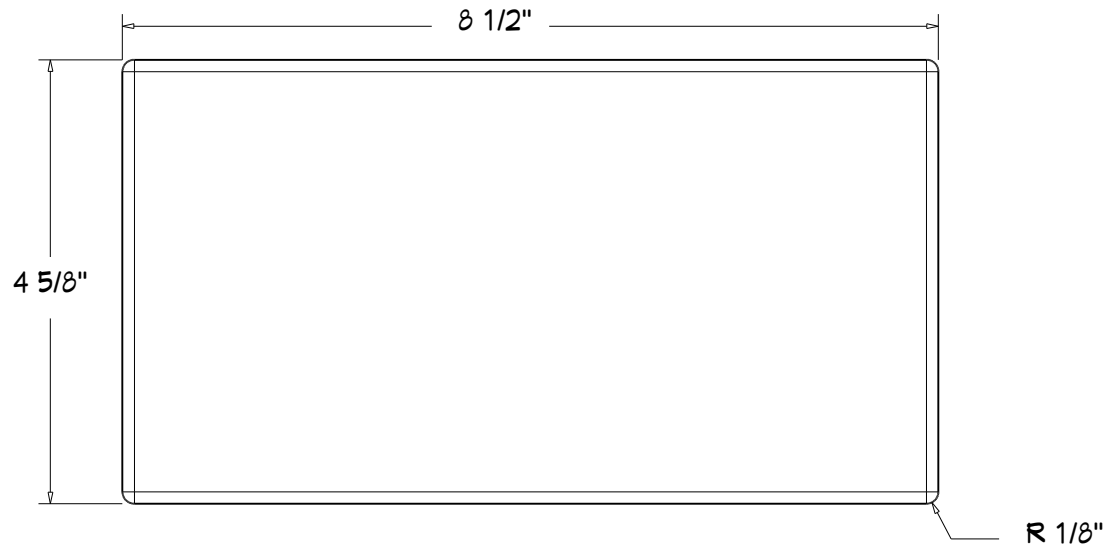
Top View



End View



Front View



Flatware Tote, Knife Block
Cottage Life Picnic Totes DIY
Drawn 6/12/2019
By Raj Chaudhry